

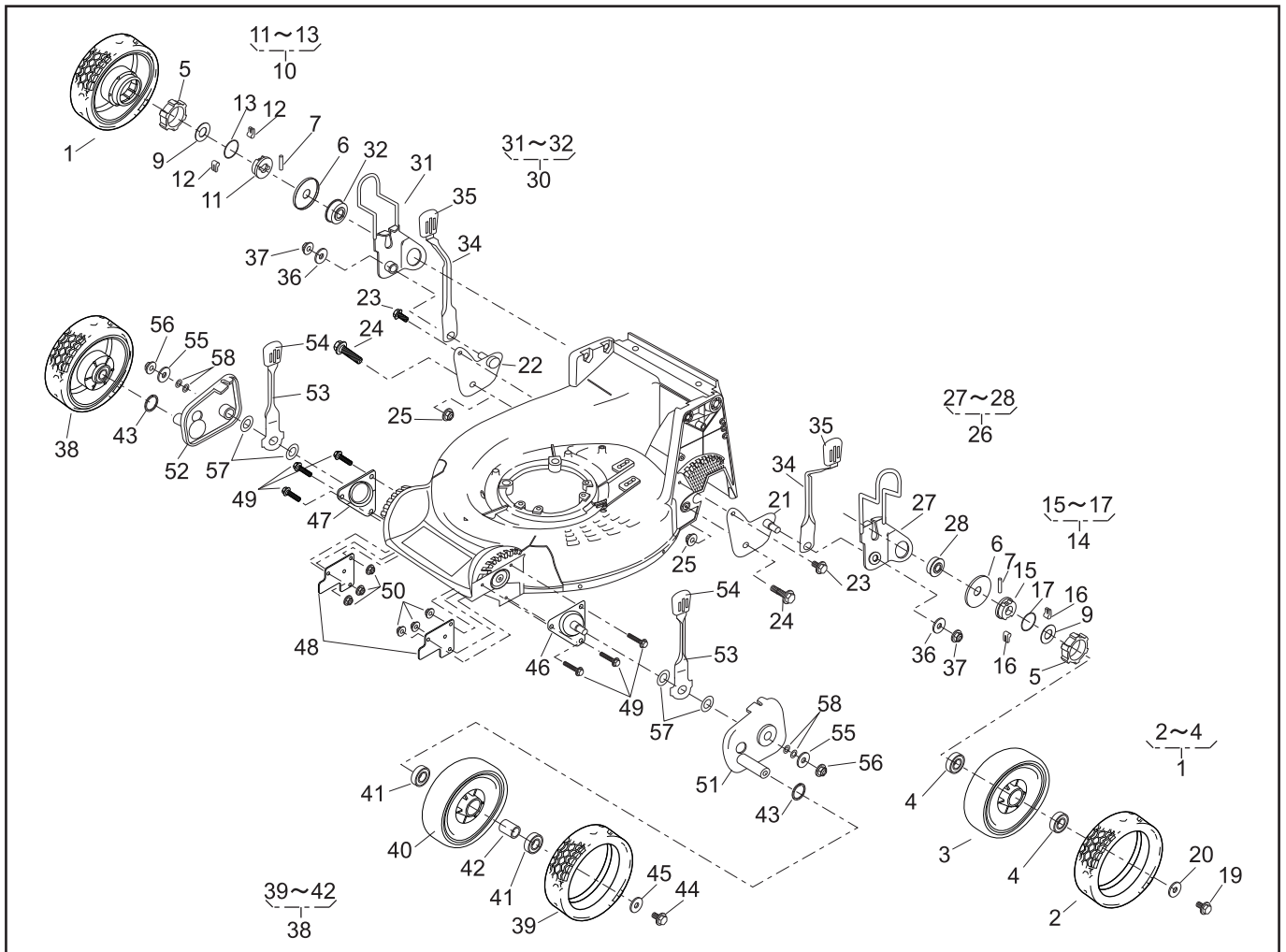


## TOSAERBA SARP

### SLM-5360HXA serie 2nd-01

Dalla matricola 5220001 (gennaio 2007)

## ESPLOSO RICAMBI



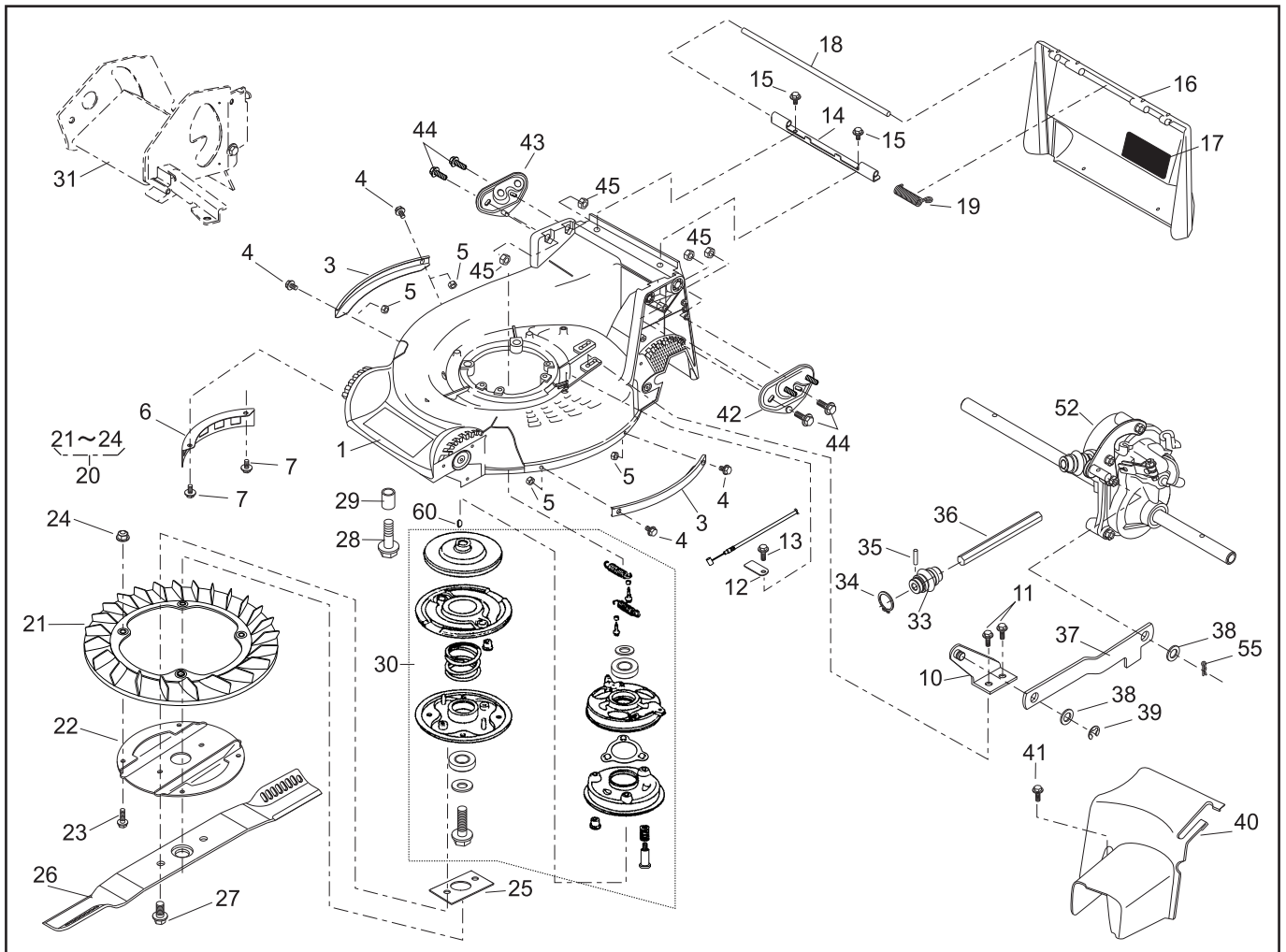
## PARTS LIST

P/L No. 46014-503-00

NOTE

| REF. No. | PARTS No.   | PARTS NAME          | 8"AI-WHEEL |          |            | 1/2     |  | Dec. 25, 2006 |
|----------|-------------|---------------------|------------|----------|------------|---------|--|---------------|
|          |             |                     | Q'TY       | PRICE( ) | RECOMM.(%) | REMARKS |  |               |
|          |             |                     | INCLUDING  |          | Lot.100    |         |  |               |
| 1        | 71041   136 | WHEEL ASSY(A.W.)    | 2          |          |            |         |  |               |
| 2        | 91086   113 | TIRE                | 2          |          |            |         |  |               |
| 3        |             | WHEEL               | 2          |          |            |         |  |               |
| 4        | 916B   6002 | BEARING             | 4          |          |            |         |  |               |
| 5        | 11086   119 | STOPPER             | 2          |          |            |         |  |               |
| 6        | 61003   112 | THRUST PLATE        | 2          |          |            |         |  |               |
| 7        | 31034   137 | PIN                 | 2          |          |            |         |  |               |
| 8        |             |                     |            |          |            |         |  |               |
| 9        | 68036   146 | WASHER              | 2          |          |            |         |  |               |
| 10       | 71158   101 | RATCHET ASSY(R)     | 1          |          |            |         |  |               |
| 11       | 11102   138 | HOLDER              | 1          |          |            |         |  |               |
| 12       | 31034   170 | PIN                 | 2          |          |            |         |  |               |
| 13       | 68013   266 | SPRING              | 1          |          |            |         |  |               |
| 14       | 71158   102 | RATCHET ASSY(L)     | 1          |          |            |         |  |               |
| 15       | 11102   138 | HOLDER              | 1          |          |            |         |  |               |
| 16       | 31034   170 | PIN                 | 2          |          |            |         |  |               |
| 17       | 68013   266 | SPRING              | 1          |          |            |         |  |               |
| 18       |             |                     |            |          |            |         |  |               |
| 19       | 31057   181 | HEXAGON BOLT        | 2          |          |            |         |  |               |
| 20       | 68036   101 | WASHER              | 2          |          |            |         |  |               |
| 21       | 11006   151 | STAY C.P.(RL)       | 1          |          |            |         |  |               |
| 22       | 11006   152 | STAY C.P.(RR)       | 1          |          |            |         |  |               |
| 23       | 342L   0612 | FLANGE BOLT TAPPING | 2          |          |            |         |  |               |
| 24       | 31057   255 | HEXAGON BOLT        | 2          |          |            |         |  |               |
| 25       | 584L   0800 | U-FLANGE NUT        | 2          |          |            |         |  |               |
| 26       | 71122   112 | ADJUSTER ASSY(L)    | 1          |          |            |         |  |               |
| 27       | 11142   131 | ADJUSTER(RL)        | 1          |          |            |         |  |               |
| 28       | 945L   0349 | BEARING             | 1          |          |            |         |  |               |
| 29       |             |                     |            |          |            |         |  |               |
| 30       | 71122   113 | ADJUSTER ASSY(R)    | 1          |          |            |         |  |               |



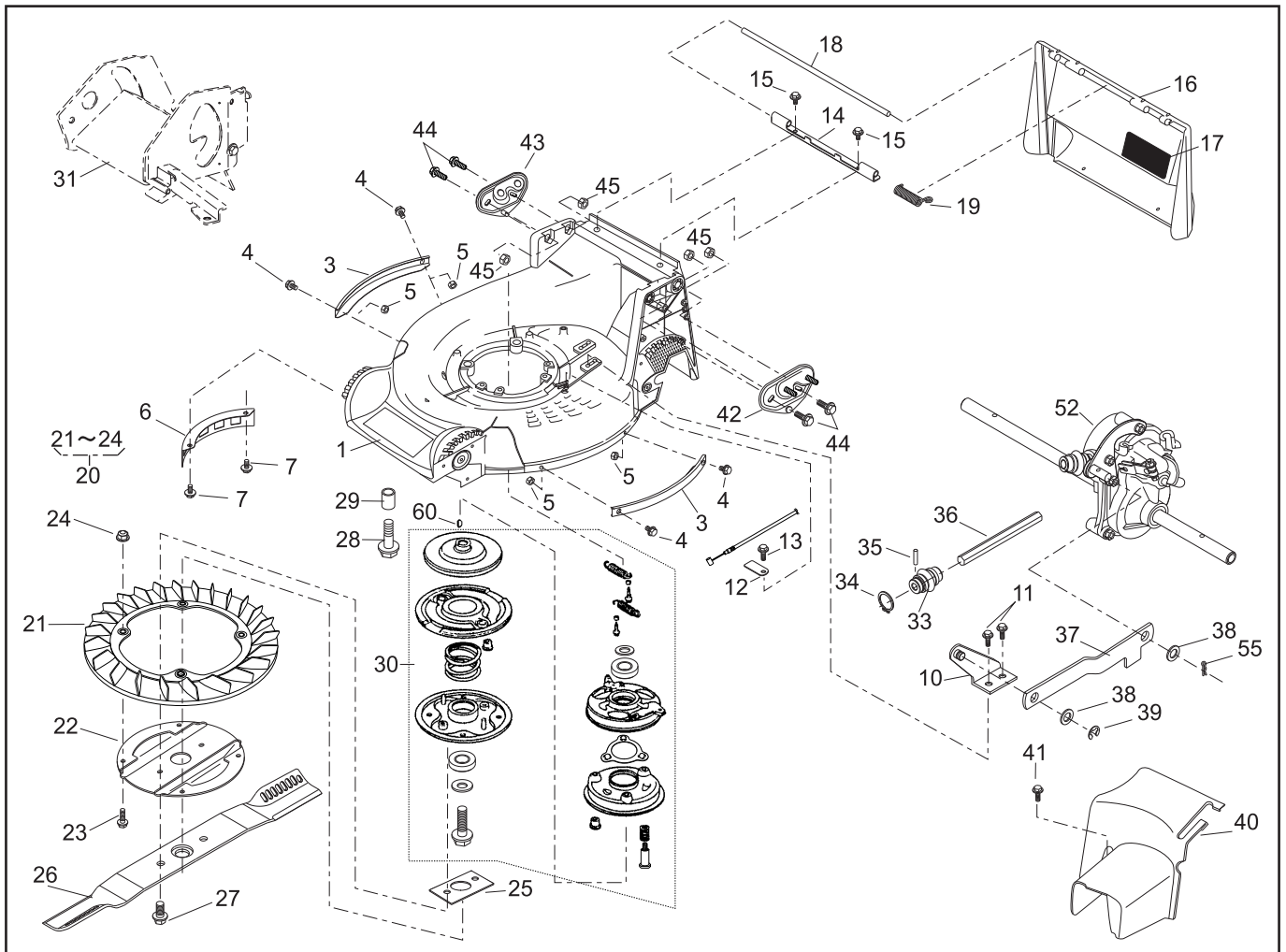


## PARTS LIST

P/L No. 46014-533-00

NOTE

| REF. No. | PARTS No.        | PARTS NAME          | GRASS-CUTTING  |          |                    | 1/2     | Dec. 25, 2006 |
|----------|------------------|---------------------|----------------|----------|--------------------|---------|---------------|
|          |                  |                     | Q'TY INCLUDING | PRICE( ) | RECOMM.(%) Lot.100 | REMARKS |               |
| 1        | 51043   152   42 | HOUSING             | 1              |          |                    |         |               |
| 2        |                  |                     |                |          |                    |         |               |
| 3        | 51090   117   09 | PROTECTOR           | 2              |          |                    |         |               |
| 4        | 335L   0616      | FLANGE BOLT         | 4              |          |                    |         |               |
| 5        | 512L   0600      | HEXAGON NUT         | 4              |          |                    |         |               |
| 6        | 36065   180      | COVER               | 1              |          |                    |         |               |
| 7        | 342L   0612      | FLANGE TAPPING BOLT | 2              |          |                    |         |               |
| 8        |                  |                     |                |          |                    |         |               |
| 9        |                  |                     |                |          |                    |         |               |
| 10       | 11006   155      | STAY C.P.           | 1              |          |                    |         |               |
| 11       | 342L   0612      | FLANGE TAPPING BOLT | 2              |          |                    |         |               |
| 12       | 11113   407      | STAY                | 1              |          |                    |         |               |
| 13       | 342L   0612      | FLANGE TAPPING BOLT | 1              |          |                    |         |               |
| 14       | 11113   292      | STAY                | 1              |          |                    |         |               |
| 15       | 342L   0612      | FLANGE TAPPING BOLT | 2              |          |                    |         |               |
| 16       | 36068   196   46 | GUARD               | 1              |          |                    |         |               |
| 17       | 36080   149      | RUBBER SHEET        | 1              |          |                    |         |               |
| 18       | 64014   324      | SHAFT               | 1              |          |                    |         |               |
| 19       | 68013   336      | SPRING              | 1              |          |                    |         |               |
| 20       | 71082   111      | FAN ASS'Y           | 1              |          |                    |         |               |
| 21       | 51125   103      | FAN                 | 1              |          |                    |         |               |
| 22       | 11102   151      | HOLDER              | 1              |          |                    |         |               |
| 23       | 31062   169      | PRE-COAT LOCK BOLT  | 4              |          |                    |         |               |
| 24       | 579L   0600      | FLANGE NUT          | 4              |          |                    |         |               |
| 25       | 61024   208      | SPACER              | 1              |          |                    |         |               |
| 26       | 91014   188      | BLADE               | 1              |          |                    |         |               |
| 27       | 31057   197      | HEXAGON BOLT        | 2              |          |                    |         |               |
| 28       | 31057   243      | HEXAGON BOLT        | 4              |          |                    |         |               |
| 29       | 61024   142      | SPACER              | 3              |          |                    |         |               |
| 30       | 71067   106      | BRAKE ASSY          | 1              |          |                    |         |               |

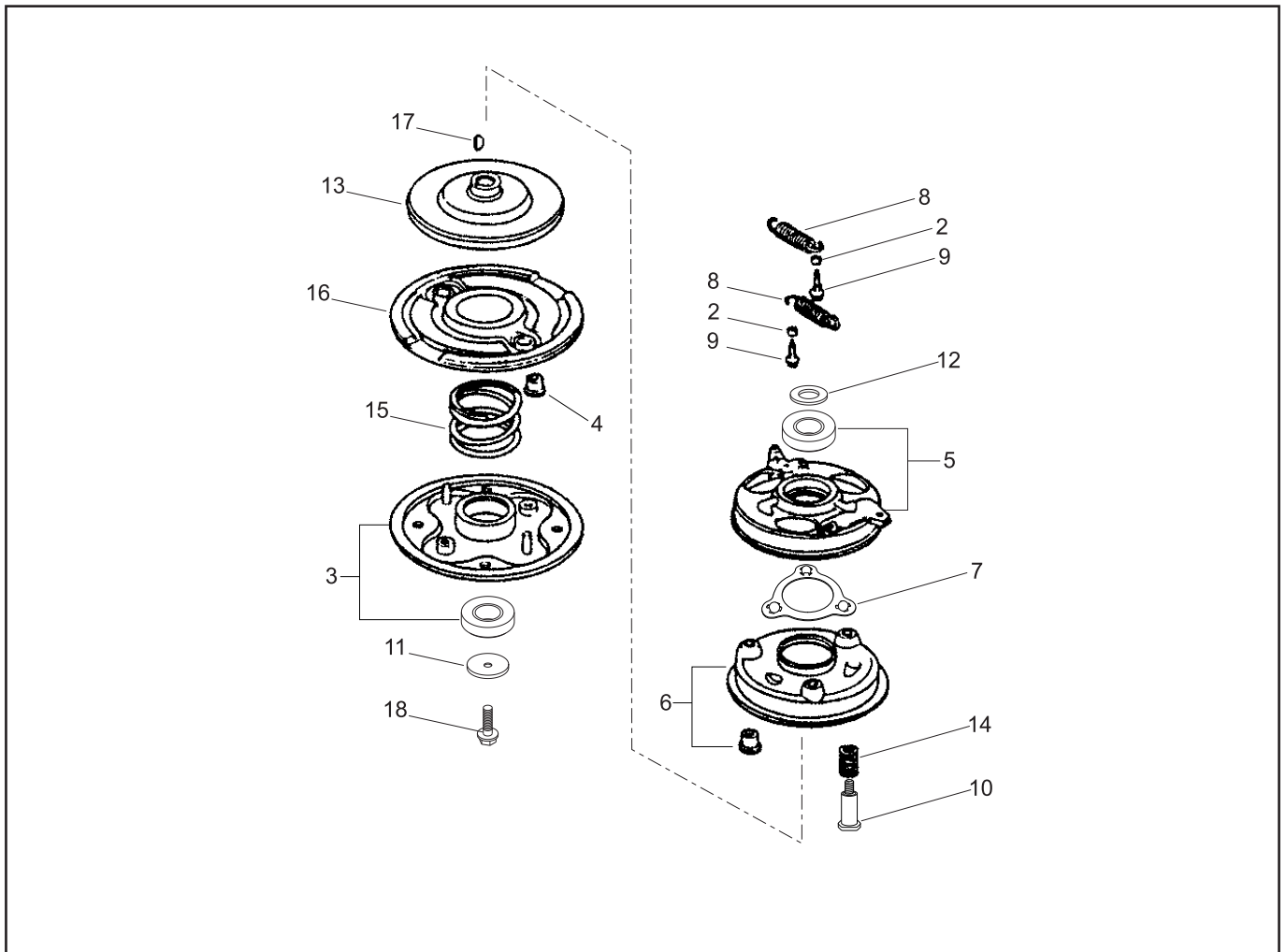


## PARTS LIST

P/L No. 46014-533-00

NOTE

| REF. No. | PARTS No.   | PARTS NAME                             | GRASS-CUTTING  |          | 2/2                |               | REMARKS |
|----------|-------------|--|----------------|----------|--------------------|---------------|---------|
|          |             |  | Q'TY INCLUDING | PRICE( ) | RECOMM.(%) Lot.100 | Dec. 25, 2006 |         |
| 31       |             | COVER UNIT (Ref. P/L No. 46012-548-**) |                |          |                    |               |         |
| 32       |             |  |                |          |                    |               |         |
| 33       | 91097   101 | UNIVERSAL JOINT                        | 1              |          |                    |               |         |
| 34       | 812V   2000 | C-SNAP RING                            | 1              |          |                    |               |         |
| 35       | 717B   0418 | PARALLEL PIN                           | 1              |          |                    |               |         |
| 36       | 64014   358 | SHAFT                                  | 1              |          |                    |               |         |
| 37       | 91049   135 | CONNECTOR                              | 1              |          |                    |               |         |
| 38       | 68036   280 | WASHER                                 | 2              |          |                    |               |         |
| 39       | 816V   0800 | E-SNAP RING                            | 1              |          |                    |               |         |
| 40       | 36065   438 | COVER                                  | 1              |          |                    |               |         |
| 41       | 342L   0616 | FLANGE TAPPING BOLT                    | 1              |          |                    |               |         |
| 42       | 51116   149 | HANDLE BRACKET(L)                      | 1              |          |                    |               |         |
| 43       | 51116   150 | HANDLE BRACKET(R)                      | 1              |          |                    |               |         |
| 44       | 31057   255 | HEXAGON BOLT                           | 4              |          |                    |               |         |
| 45       | 512L   0800 | HEXAGON NUT                            | 4              |          |                    |               |         |
| 46       |             |  |                |          |                    |               |         |
| 47       |             |  |                |          |                    |               |         |
| 48       |             |  |                |          |                    |               |         |
| 49       |             |  |                |          |                    |               |         |
| 50       |             |  |                |          |                    |               |         |
| 51       |             |  |                |          |                    |               |         |
| 52       | 71008   275 | GEAR CASE ASS'Y                        | 1              |          |                    |               |         |
| 53       |             |  |                |          |                    |               |         |
| 54       |             |  |                |          |                    |               |         |
| 55       | 733L   1000 | SNAP PIN                               | 1              |          |                    |               |         |
| 56       |             |  |                |          |                    |               |         |
| 57       |             |  |                |          |                    |               |         |
| 58       |             |  |                |          |                    |               |         |
| 59       | 122039      | ENGINE:HONDA GXV160H2-SFL1-R280        | 1              |          |                    |               |         |
| 60       |             | WOODRUFF KEY                           | 1              |          |                    |               |         |

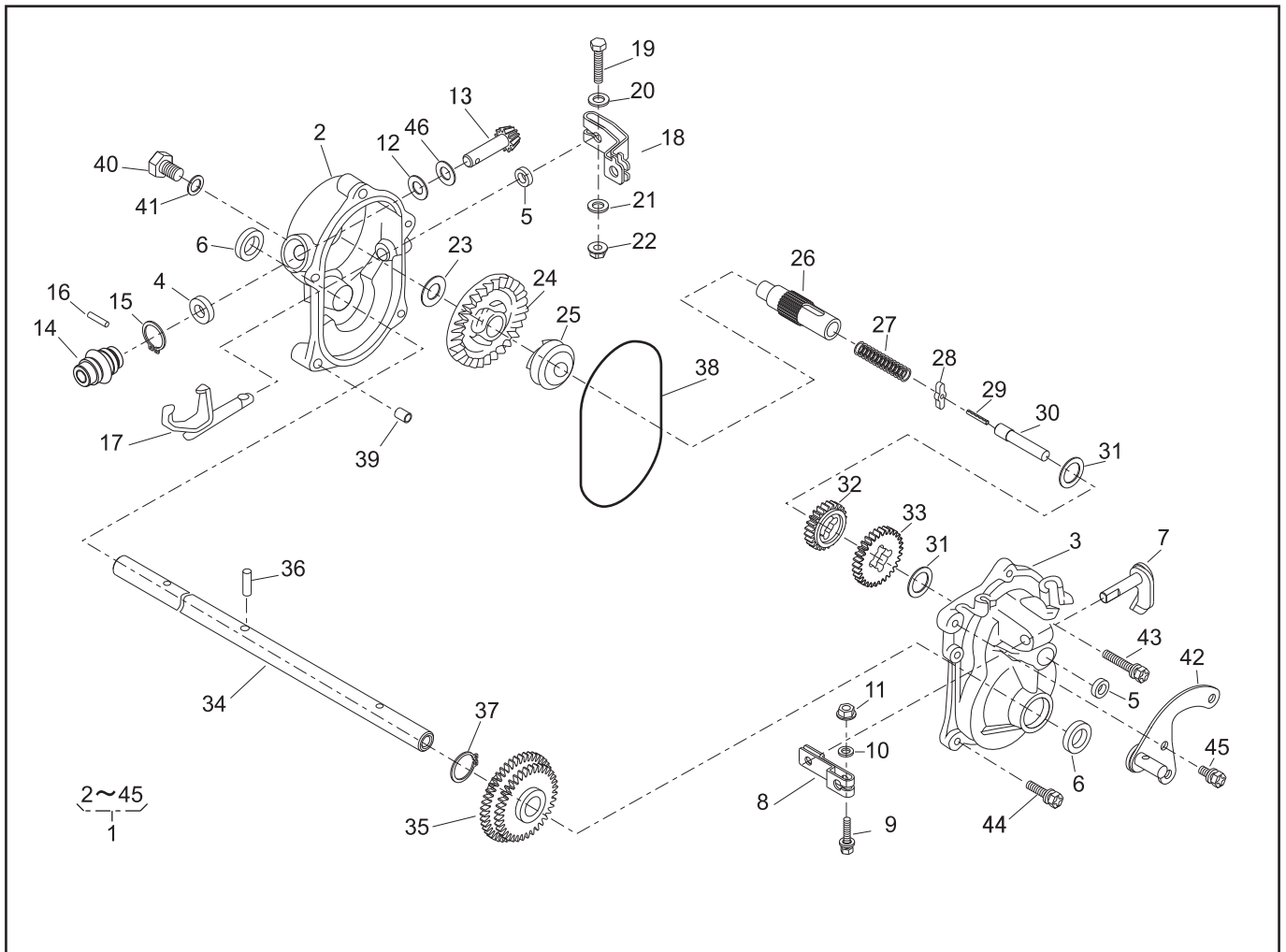


## PARTS LIST

### BRAKE ASSY (71067-106)

P/L No. 46014-266-02

| REF. No. | PARTS No.     | PARTS NAME            | BBC            |          |                    | 1/1     | Feb.09,2005 |
|----------|---------------|-----------------------|----------------|----------|--------------------|---------|-------------|
|          |               |                       | Q'TY INCLUDING | PRICE( ) | RECOMM.(%) Lot.100 | REMARKS |             |
| 1        | 71067 106     | BRAKE ASSY            | 1              |          |                    |         |             |
| 2        | 19512 883 000 | FAN COLLAR            | 2              |          |                    |         |             |
| 3        | 72600 VA4 010 | HOLDER ASSY           | 1              |          |                    |         |             |
| 4        | 72613 VA4 000 | BUSH, BLADE HOLDER    | 2              |          |                    |         |             |
| 5        | 75090 VA4 030 | CONTROL ASSY          | 1              |          |                    |         |             |
| 6        | 75100 VA4 010 | BRAKE C.P.            | 1              |          |                    |         |             |
| 7        | 75110 VA4 000 | BALL RETAINER C.P.    | 1              |          |                    |         |             |
| 8        | 75182 VA3 J00 | SPRING, CLUTCH RETURN | 2              |          |                    |         |             |
| 9        | 90014 952 000 | FLANGE BOLT           | 2              |          |                    |         | 6 x 14      |
| 10       | 90021 VA4 000 | BOLT, SPECIAL         | 3              |          |                    |         | 6 mm        |
| 11       | 90409 952 000 | WASHER                | 1              |          |                    |         | 10 mm       |
| 12       | 90501 952 010 | THRUST WASHER         | 1              |          |                    |         |             |
| 13       | 75130 VA4 000 | BRAKE DISK            | 1              |          |                    |         |             |
| 14       | 75132 VA4 000 | SPRING, BRAKE HOLDER  | 3              |          |                    |         |             |
| 15       | 75183 VA3 J00 | SPRING, CLUTCH        | 1              |          |                    |         |             |
| 16       | 75150 VA3 J01 | DRIVEN DISK C.P.      | 1              |          |                    |         |             |
| 17       | 94401 16150   | WOODRUFF KEY          | 1              |          |                    |         |             |
| 18       | 90105 960 003 | BOLT (10x25)          | 1              |          |                    |         |             |
| 19       |               |                       |                |          |                    |         |             |
| 20       |               |                       |                |          |                    |         |             |
| 21       |               |                       |                |          |                    |         |             |
| 22       |               |                       |                |          |                    |         |             |
| 23       |               |                       |                |          |                    |         |             |
| 24       |               |                       |                |          |                    |         |             |
| 25       |               |                       |                |          |                    |         |             |
| 26       |               |                       |                |          |                    |         |             |
| 27       |               |                       |                |          |                    |         |             |
| 28       |               |                       |                |          |                    |         |             |



## PARTS LIST

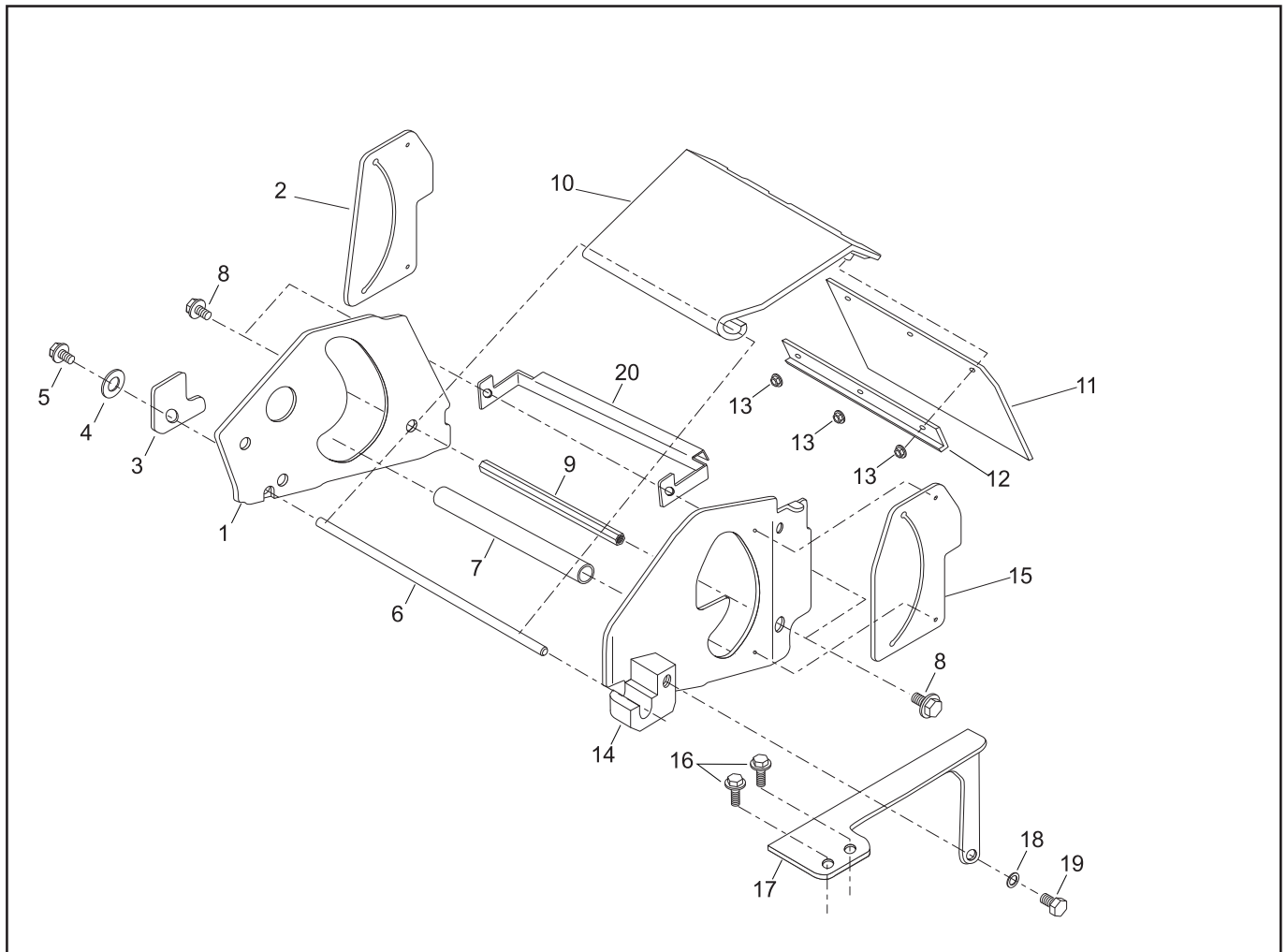
### GEAR CASE ASSY (71008-275)

P/L No. 46014-262-04

| REF. No. | PARTS No.   | PARTS NAME             | GEAR CASE      |          |                    | 1/2     | Dec. 25, 2006 |
|----------|-------------|------------------------|----------------|----------|--------------------|---------|---------------|
|          |             |                        | Q'TY INCLUDING | PRICE( ) | RECOMM.(%) Lot.100 | REMARKS |               |
| 1        | 71008   275 | GEAR CASE ASS'Y        | 1              |          |                    | -       |               |
| 2        | 51001   195 | GEAR CASE              | 1              |          |                    | 3       |               |
| 3        | 51001   196 | GEAR CASE              | 1              |          |                    | 3       |               |
| 4        | 61002   161 | OIL SEAL               | 1              |          |                    | 5       | SD 10 20 5    |
| 5        | 61002   162 | OIL SEAL               | 2              |          |                    | 5       | SD 08 14 4    |
| 6        | 61002   163 | OIL SEAL               | 2              |          |                    | 5       | SD 15 24 5    |
| 7        | 64024   104 | SHIFTER SHAFT          | 1              |          |                    | 3       |               |
| 8        | 11104   119 | ARM                    | 1              |          |                    | 3       |               |
| 9        | 320L   0525 | (+)HEXAGON BOLT (W/PW) | 1              |          |                    | 3       | M5 × 25       |
| 10       | 611L   0500 | PLAIN WASHER           | 1              |          |                    | 3       | M5            |
| 11       | 571L   0500 | FLANGE NUT             | 1              |          |                    | 3       | M5            |
| 12       | 61003   109 | THRUST PLATE           | 1              |          |                    | 5       |               |
| 13       | 78003   130 | PINION                 | 1              |          |                    | 3       |               |
| 14       | 91097   101 | UNIVERSAL JOINT        | 1              |          |                    | 3       |               |
| 15       | 812V   2000 | C-SNAP RING            |                | 1        |                    | 1       | φ 20          |
| 16       | 717B   0418 | PARALLEL PIN           |                | 1        |                    | 3       | φ 4 × 18      |
| 17       | 11097   106 | SHIFTER FORK           | 1              |          |                    | 3       |               |
| 18       | 11104   137 | ARM                    | 1              |          |                    | 3       |               |
| 19       | 311M   0630 | HEXAGON BOLT           | 1              |          |                    | 3       | M6 × 30       |
| 20       | 611L   0600 | PLAIN WASHER           | 1              |          |                    | 3       | M6            |
| 21       | 613L   0600 | PLAIN WASHER           | 1              |          |                    | 3       | M6            |
| 22       | 571L   0600 | FLANGE NUT             | 1              |          |                    | 3       | M6            |
| 23       | 61024   117 | SPACER                 | 1              |          |                    | 5       |               |
| 24       | 78001   162 | BEVEL GEAR             | 1              |          |                    | 3       |               |
| 25       | 11129   107 | CLUTCH                 | 1              |          |                    | 3       |               |
| 26       | 64014   236 | SHAFT                  | 1              |          |                    | 3       |               |
| 27       | 68013   262 | SPRING                 | 1              |          |                    | 3       |               |





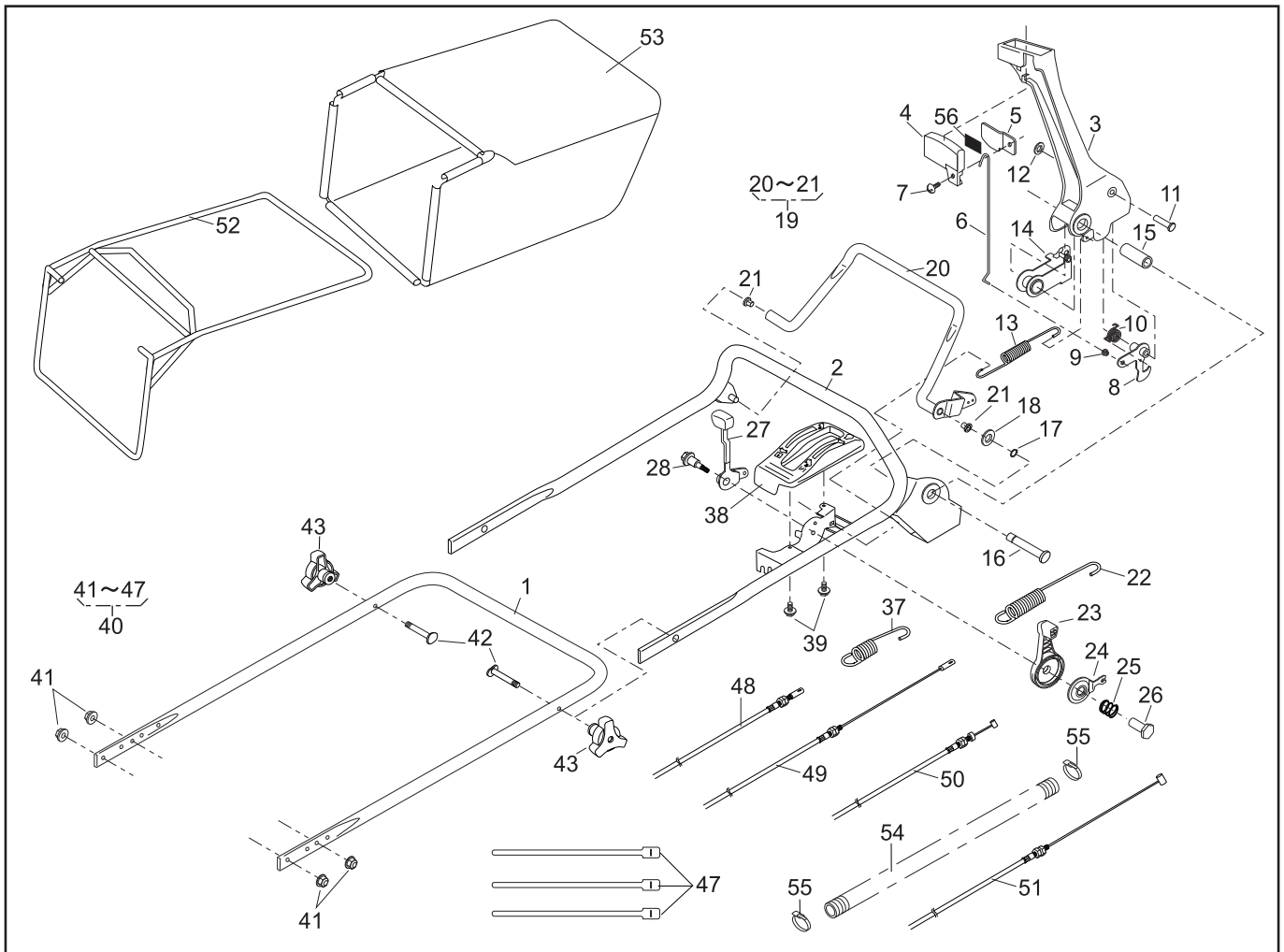


## PARTS LIST

### COVER UNIT (for 51043-152)

P/L No. 46014-548-00

| NOTE | REF. No. | PARTS No.   | PARTS NAME          | COVER UNIT |          | 1/1                   | Dec. 25. 2006 | REMARKS |
|------|----------|-------------|---------------------|------------|----------|-----------------------|---------------|---------|
|      |          |             |                     | Q'TY       | PRICE( ) |                       |               |         |
|      |          |             |                     | INCLUDING  |          | RECOMM.(%)<br>Lot.100 |               |         |
|      | 1        | 11006   166 | STAY C.P.           | 1          |          |                       |               |         |
|      | 2        | 36080   154 | RUBBER SHEET        | 1          |          |                       |               |         |
|      | 3        | 11113   420 | STAY                | 1          |          |                       |               |         |
|      | 4        | 613L   0800 | PLAIN WASHER        | 1          |          |                       |               |         |
|      | 5        | 423U   0812 | SOCKET SCREW FLANGE | 1          |          |                       |               |         |
|      | 6        | 64014   373 | SHAFT               | 1          |          |                       |               |         |
|      | 7        | 11083   387 | COLLAR              | 1          |          |                       |               |         |
|      | 8        | 31057   181 | HEXAGON BOLT        | 2          |          |                       |               |         |
|      | 9        | 64014   374 | SHAFT               | 1          |          |                       |               |         |
|      | 10       | 51079   124 | COVER C.P.          | 1          |          |                       |               |         |
|      | 11       | 36080   153 | RUBBER SHEET        | 1          |          |                       |               |         |
|      | 12       | 11050   182 | FIXING PLATE        | 1          |          |                       |               |         |
|      | 13       | 569L   0400 | FLANGE NYLON NUT    | 3          |          |                       |               |         |
|      | 14       | 11006   168 | STAY C.P.           | 1          |          |                       |               |         |
|      | 15       | 36080   155 | RUBBER SHEET        | 1          |          |                       |               |         |
|      | 16       | 342L   0612 | FLANGE TAPPING BOLT | 2          |          |                       |               |         |
|      | 17       | 11113   419 | STAY                | 1          |          |                       |               |         |
|      | 18       | 661L   0800 | SPRING LOCK WASHER  | 1          |          |                       |               |         |
|      | 19       | 311K   0812 | HEXAGON BOLT        | 1          |          |                       |               |         |
|      | 20       | 11050   183 | FIXING PLATE        | 1          |          |                       |               |         |
|      | 21       |             |                     |            |          |                       |               |         |
|      | 22       |             |                     |            |          |                       |               |         |
|      | 23       |             |                     |            |          |                       |               |         |
|      | 24       |             |                     |            |          |                       |               |         |
|      | 25       |             |                     |            |          |                       |               |         |
|      | 26       |             |                     |            |          |                       |               |         |
|      | 27       |             |                     |            |          |                       |               |         |
|      | 28       |             |                     |            |          |                       |               |         |



## PARTS LIST

P/L No. 46014-467-00

| REF. No. | PARTS No.        | PARTS NAME                     | HANDLE         |          |                    | 1/2     | Dec. 25, 2006 |
|----------|------------------|--------------------------------|----------------|----------|--------------------|---------|---------------|
|          |                  |                                | Q'TY INCLUDING | PRICE( ) | RECOMM.(%) Lot.100 | REMARKS |               |
| 1        | 51027   254      | HANDLE                         | 1              |          |                    |         |               |
| 2        | 51027   255      | HANDLE                         | 1              |          |                    |         |               |
| 3        | 11095   172      | LEVER (BBC)                    | 1              |          |                    |         |               |
| 4        | 36110   102      | BUTTON                         | 1              |          |                    |         |               |
| 5        | 11049   109      | SLIDE PLATE                    | 1              |          |                    |         |               |
| 6        | 64014   336      | SHAFT                          | 1              |          |                    |         |               |
| 7        | 376L   0612      | (+)TRUSS SCREW                 | 1              |          |                    |         |               |
| 8        | 71203   135      | ARM C.P.                       | 1              |          |                    |         |               |
| 9        | 76007   183      | BUSH                           | 1              |          |                    |         |               |
| 10       | 68013   371      | SPRING                         | 1              |          |                    |         |               |
| 11       | 31056   127      | GIB-HEADED PIN                 | 1              |          |                    |         |               |
| 12       | 576V   0600      | PUSH NUT                       | 1              |          |                    |         |               |
| 13       | 68013   392      | SPRING                         | 1              |          |                    |         |               |
| 14       | 11109   111      | LINK                           | 1              |          |                    |         |               |
| 15       | 61023   190      | SLEEVE                         | 1              |          |                    |         |               |
| 16       | 64014   337      | SHAFT                          | 1              |          |                    |         |               |
| 17       | 812V   0800      | C-SNAP RING                    | 1              |          |                    |         |               |
| 18       | 613L   0800      | PLAIN WASHER                   | 1              |          |                    |         |               |
| 19       | 71161   114   09 | LEVER ASS'Y                    | 1              |          |                    |         |               |
| 20       |                  | LEVER                          |                | 1        |                    |         |               |
| 21       | 76007   131      | BUSH                           |                | 2        |                    |         |               |
| 22       | 68013   391      | SPRING                         | 1              |          |                    |         |               |
| 23       | 91010   169      | THROTTLE LEVER (GXV120/GXV160) | 1              |          |                    |         |               |
| 24       | 61003   113      | THRUST PLATE                   | 1              |          |                    |         |               |
| 25       | 68013   356      | SPRING                         | 1              |          |                    |         |               |
| 26       | 31058   168      | HEXAGON NUT                    | 1              |          |                    |         |               |
| 27       | 11095   117      | LEVER                          | 1              |          |                    |         |               |
| 28       | 31062   109      | PRE-COAT LOCK BOLT             | 1              |          |                    |         |               |
| 29       |                  |                                |                |          |                    |         |               |
| 30       |                  |                                |                |          |                    |         |               |

